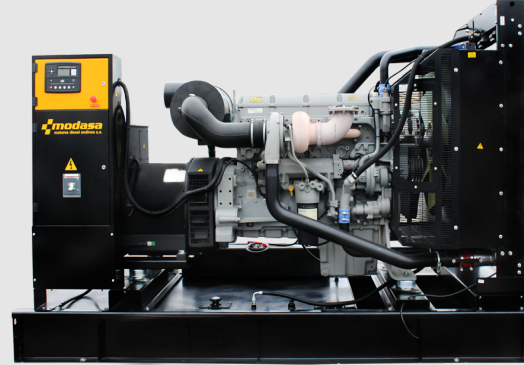


MODEL	POWER		VOLTAGE	FREQUENCY	POWER FACTOR	CURRENT
	PRIME	STAND BY				
MP-350ES	325 Kw / 406 KVA	355 Kw / 444 KVA	208V	60Hz	0.8	1232 A



SILENT GENERATOR SET



OPEN GENERATOR SET

\* Note: All pictures shown are for illustration purpose only. Actual product may vary due to product enhancement.

## Specifications

### Generator Set

Model	MP-350ES
Engine	PERKINS 2206D-E13TAG2 EPA Tier 3
Alternator	STAMFORD S4L1D-F41
Control Panel	Electronic
Phases	Three-phase
Fuel Tank	Open: 204 Gallons / Silent: 269 Gallons
Electric System	24V.
Frequency	60Hz
Cooling Fan Air flow	788 m3/min
Combustion Air flow	26.6 m3/min
Exhaust Gas flow	76.6 m3/min
Exhaust Gas temperature	680 °C

Silent Genset Noise Level @ 7m	Maximum	Ambient
	67 +/- 2 dBA	54 dBA

### Engine

Number of Cylinders	6 in-line
Governor Type	Electronic
Cycle	4-Stroke
Aspiration	Turbocharger chargecooled
Fuel	Diesel
Combustion System	Direct injection
Cooling Method	Water Cooled
Bore	130.0 mm
Stroke	157.0 mm
Displacement	1250cc
Compression Ratio	16.3:1
Lubrication Sys. Capacity	40 liters
Cooling Sys. Capacity	51.4 liters

### Fuel Consumption

Engine Speed	1800 RPM
	l/hr
Stand-by Power (2)	93.0
Prime Power (1)	87.0
75% Prime Power (1)	67.0
50% Prime Power (1)	48.0

### Alternator

Insulation System	Class "H"
Exciter Type	Self exciter
Voltage Regulation Card	AS440 ± 1.0%
Protection Class	IP 23

### Technical Standards

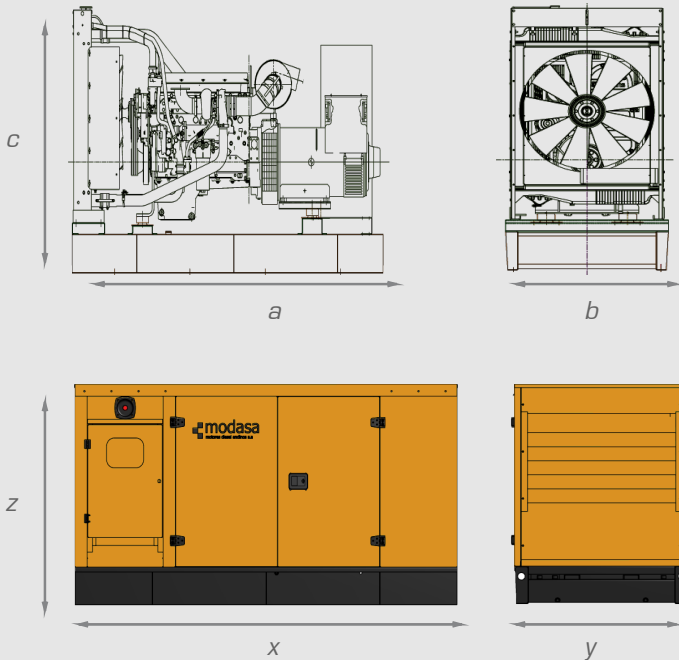
Engine :	ISO 3046, BS 5514, DIN 6271
Alternator :	IEC EN 60034, BS 5000, IEC 34 VDE 0530, NEMA MG1-32 CSAC22, 2-100, ASI 1359
Generator Set :	ISO 8528, ISO 9001:2015

(1) Prime Power: Available power under variable load for unlimited hours per year (ISO8528-1). Allows 10% power surge for one hour, every 12 hours.

(2) Standby Power: Available power under variable load, whenever the commercial network breaks down. Does not accept surges (ISO8528-3); it has 500 hours usage limit per year or 300 continuous hours instead.

## Dimensions

Dimensions and Weights	a	b	c	Weight	Exh. Ø
	3300 mm	1180 mm	2127 mm	3686 kg	3"
Dimensions and Weights	x	y	z	Weight	Exh. Ø
	4610 mm	1689 mm	2565 mm	4876 kg	5"



## Optional Enhancements

- Residential muffler. (included in Silent Genset)
- Monoblock water heater.
- Alternator dehumidifying resistance.
- Electronic governance.
- Automatic transfer board.
- Variety of voltages.
- Remote speed/voltage potentiometer.
- PMG
- Fuel level electric meter.

## Control Panel



Outfitted with the most recent age electronic digital control panel, it allows starting, controlling, protecting and stopping the generator set in manual and automatic modes. Performs automatic transfer.

Measurements shown with alpha-numeric characters on the digital display:

- Current of the three phases L1, L2, L3
- Energy demand KWh, KVAh, KVArh.
- Active energy KVAh.
- Power factor.
- Frequency.
- Working time.
- Memory of the last 250 events, description, date and time.
- Active Power KW.
- Reactive Power KVA.
- Oil pressure.
- Sequence of generator phases.
- Oil temperature.
- Air intake temperature.
- Fuel temperature.
- Exhaust gas temperature.
- Cooling temperature.
- Rotation speed.
- Battery voltage.
- Voltage of the three phases L - L and L - N.

Protection:

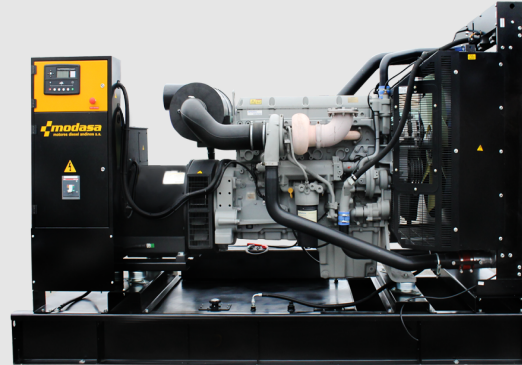
- Activated maintenance alarm set.
- High temperature of the motor.
- Low/High frequency
- Low oil pressure.
- Low/High battery voltage.
- Low/High generator voltage.
- CAN diagnosis.
- Starter failure.
- Stop failure.
- Negative phase sequence failure.
- Over current failure.
- Overload fault.
- Emergency stop.
- Loss of speed signal due to pickup disconnection.

M: Modasa / P: PERKINS Engine / 350: Genset Power Reference / Q: 50 Hz 1500 RPM / I: Silent / M: Single-phase / E: EPA Tier

MODEL	POWER		VOLTAGE	FREQUENCY	POWER FACTOR	CURRENT
	PRIME	STAND BY				
MP-350E	326 Kw / 408 KVA	356 Kw / 445 KVA	440V	60Hz	0.8	584 A
MP-350E	326 Kw / 408 KVA	356 Kw / 445 KVA	480V	60Hz	0.8	535 A



SILENT GENERATOR SET



OPEN GENERATOR SET

\* Note: All pictures shown are for illustration purpose only. Actual product may vary due to product enhancement.

## Specifications

### Generator Set

Model	MP-350E
Engine	PERKINS 2206D-E13TAG2 EPA Tier 3
Alternator	STAMFORD S4L1D-E41
Control Panel	Electronic
Phases	Three-phase
Fuel Tank	Open: 204 Gallons / Silent: 269 Gallons
Electric System	24V.
Frequency	60Hz
Cooling Fan Air flow	788 m3/min
Combustion Air flow	26.6 m3/min
Exhaust Gas flow	76.6 m3/min
Exhaust Gas temperature	680 °C

Silent Genset	Maximum	Ambient
Noise Level @ 7m	67 +/- 2 dBA	54 dBA

### Engine

Number of Cylinders	6 in-line
Governor Type	Electronic
Cycle	4-Stroke
Aspiration	Turbocharger chargecooled
Fuel	Diesel
Combustion System	Direct injection
Cooling Method	Water Cooled
Bore	130.0 mm
Stroke	157.0 mm
Displacement	1250cc
Compression Ratio	16.3:1
Lubrication Sys. Capacity	40 liters
Cooling Sys. Capacity	51.4 liters

### Fuel Consumption

Engine Speed	1800 RPM
	l/hr
Stand-by Power (2)	93.0
Prime Power (1)	87.0
75% Prime Power (1)	67.0
50% Prime Power (1)	48.0

### Alternator

Insulation System	Class "H"
Exciter Type	Self exciter
Voltage Regulation Card	AS440 ± 1.0%
Protection Class	IP 23

### Technical Standards

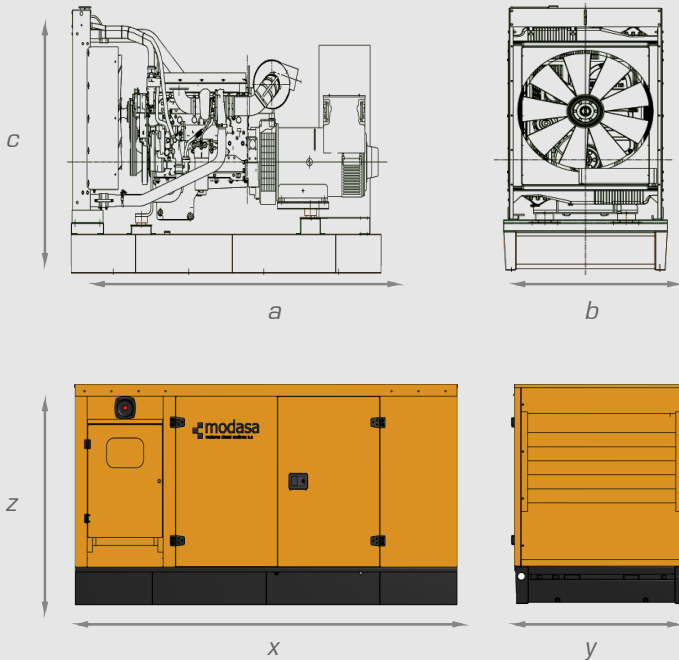
Engine :	ISO 3046, BS 5514, DIN 6271
Alternator :	IEC EN 60034, BS 5000, IEC 34 VDE 0530, NEMA MG1-32 CSAC22, 2-100, ASI 1359
Generator Set :	ISO 8528, ISO 9001:2015

(1) Prime Power: Available power under variable load for unlimited hours per year (ISO8528-1). Allows 10% power surge for one hour, every 12 hours.

(2) Standby Power: Available power under variable load, whenever the commercial network breaks down. Does not accept surges (ISO8528-3); it has 500 hours usage limit per year or 300 continuous hours instead.

## Dimensions

Dimensions and Weights	a	b	c	Weight	Exh. Ø
	3300 mm	1180 mm	2127 mm	3550 kg	3"
Dimensions and Weights	x	y	z	Weight	Exh. Ø
	4610 mm	1689 mm	2565 mm	4740 kg	5"



## Optional Enhancements

- Residential muffler. (included in Silent Genset)
- Monoblock water heater.
- Alternator dehumidifying resistance.
- Electronic governance.
- Automatic transfer board.
- Variety of voltages.
- Remote speed/voltage potentiometer.
- PMG
- Fuel level electric meter.

## Control Panel



Outfitted with the most recent age electronic digital control panel, it allows starting, controlling, protecting and stopping the generator set in manual and automatic modes. Performs automatic transfer.

Measurements shown with alpha-numeric characters on the digital display:

- Current of the three phases L1, L2, L3
- Energy demand KWh, KVAh, KVArh.
- Active energy KVAh.
- Power factor.
- Frequency.
- Working time.
- Memory of the last 250 events, description, date and time.
- Active Power KW.
- Reactive Power KVA.
- Oil pressure.
- Sequence of generator phases.
- Oil temperature.
- Air intake temperature.
- Fuel temperature.
- Exhaust gas temperature.
- Cooling temperature.
- Rotation speed.
- Battery voltage.
- Voltage of the three phases L - L and L - N.

Protection:

- Activated maintenance alarm set.
- High temperature of the motor.
- Low/High frequency
- Low oil pressure.
- Low/High battery voltage.
- Low/High generator voltage.
- CAN diagnosis.
- Starter failure.
- Stop failure.
- Negative phase sequence failure.
- Over current failure.
- Overload fault.
- Emergency stop.
- Loss of speed signal due to pickup disconnection.

M: Modasa / P: PERKINS Engine / 350: Genset Power Reference / Q: 50 Hz 1500 RPM / I: Silent / M: Single-phase / E: EPA Tier